



KITCHEN EQUIPMENT

SERVING THE FOOD INDUSTRY SINCE 1951

HEAVY-DUTY MEAT MIXER WITH 1.5 HP

Item: 47094 Model: MM-IT-0050-110V



**SEASONING LARGE VOLUME OF MEAT
HAS NEVER BEEN EASIER!**

Omcan's commercial meat mixer is designed to effortlessly season ground meat thoroughly and consistently in a shorter amount of time. It provides the best solution for butcher shops, supermarkets, and meat processing industries.



WARRANTY
PARTS AND LABOR



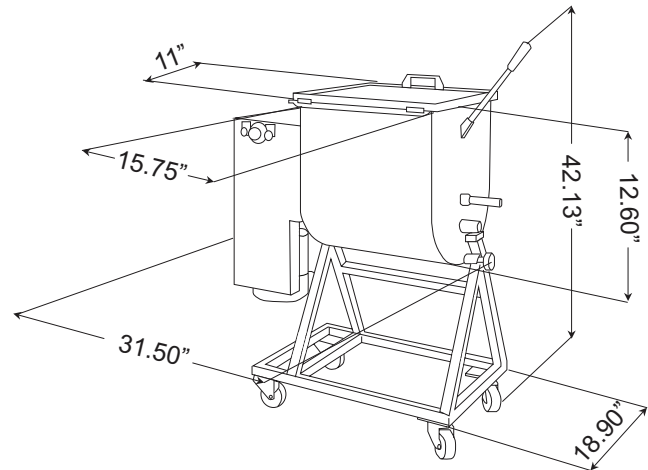
Authorized Dealer

KITCHEN EQUIPMENT

HEAVY-DUTY MEAT MIXER WITH 1.5 HP
MM-IT-0050-110V | ITEM: 47094



TECHNICAL DRAWING AND DIMENSIONS



Features

- Machine conforms to CE requirements
- Manufactured from AISI 304 stainless steel
- Transparent tank cover
- The tank can be turned 90° for easy emptying
- Push button for temporary reverse rotation

ITEM NUMBER	47094
MODEL	MM-IT-0050-110V
POWER	1.5 HP / 1.12 kW
RPM	1680
WORKING CAPACITY	50 kg. / 110.23 lbs.
TANK VOLUME	73 L / 77 QT
ELECTRICAL	115V / 60Hz / 1Ph
WEIGHT	169.8 lbs. / 77 kg.
PACKAGING WEIGHT	205 lbs. / 93 kg.
DIMENSIONS (DWH)	18.90" x 31.50" x 42.13" 480 x 800 x 1070 mm



WARRANTY
PARTS AND LABOR



OMCAN INC.

Telephone: 1-800-465-0234
Fax: (905) 607-0234
Email: sales@omcan.com
Website: www.omcan.com



Follow us to keep up to date with the latest news and offers



2020.E.O.E